

SHxxXLS2TEMDIS



Temperature display



Benefits

- **Integrated system.** Dupline® is the brand name for Carlo Gavazzi's 2-wire bus system.
- **Cost reduction.** The use of a bus system is a proven way to reduce installation costs – especially when the distance between I/O points are extensive.
- **Fast and easy installation.** Completely free topology, no special cable required, no screen or twist. It can go for 2 km and even further with repeaters.
- **High noise immunity.** Can run next to power cables.
- **Scalability.** New modules can be progressively integrated into the system according to the application needs.
- **Modularity.** The system is composed by many modules, powered by the bus, so that each installation can be precisely and easily sized.

Description

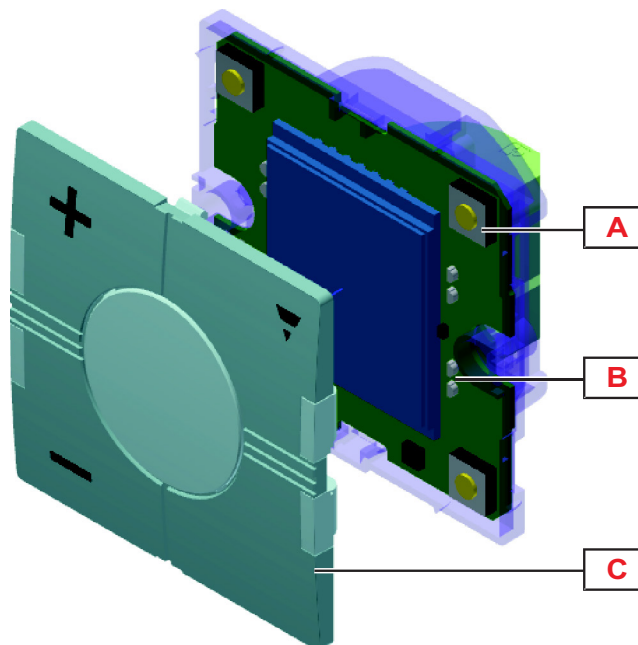
SHxxXLS2TEMDIS is a temperature display with 4 buttons and 4 LEDs. It is developed to be mounted into a 55 x 55 and 44 x 44 wall socket. Thanks to the TEMDIS display, the temperature setpoint can be changed very easily just clicking on the "+" and "-" keys. The two right keys are fully programmable. The TEMDIS is part of the smart Dupline concept for building automation applications.

Applications

Home and building automation.

Main features

- Shows current room temperature and shows outdoor temperature
- Turns on/off heating and cooling
- Programmable backlight
- Delivered with 2 white and 1 black pushbutton covers

 Structure


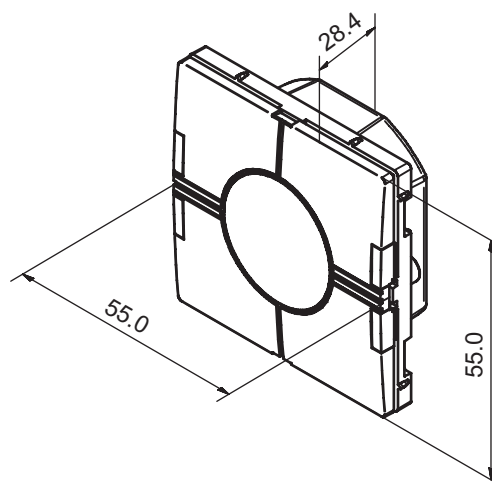
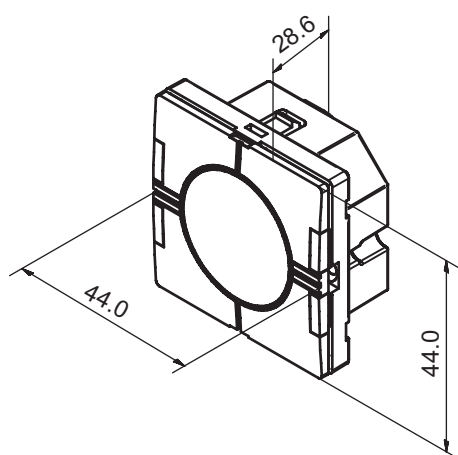
Element	Component	Function
A	Push buttons	4 individually programmable push button inputs
B	Blue and white LEDs	4 blue and 4 white programmable LEDs
C	Display	To show setpoint and room temperature



Features

General

Material	Back part: plastic Push button covers: plastic, white or black
Dimensions (L x H x D)	SHA4XLS2EMDIS: 44 x 44 x 28.6 mm SHE5XLS2EMDIS: 55 x 55 x 28.4 mm
Weight	50 g
Protection grade	IP20
Pollution degree	3 (IEC 60664)



Environmental

Operating temperature	-10° to +50°C (+14° to +122°F)
Storage temperature	-20° to +70°C (-4° to +158°F)
Humidity (non-condensing)	20 to 80% RH

Compatibility and conformity

Electromagnetic compatibility (EMC) - immunity	EN 61000-6-2
Electromagnetic compatibility (EMC) - emissions	EN 61000-6-3
Approvals	CE

Power Supply

Power supply	Supplied by bus
Consumption	Max 2 mA

Dupline®

Voltage	8.2 V
Maximum Dupline® voltage	10 V
Minimum Dupline® voltage	5.5 V
Dupline® current	5 to 8 mA
Addressing	If it is used with the Sx2WEB24 the address assignment is automatic: the controller recognises the module through the SIN (Specific Identification Number) that has to be inserted in the Sx tool. Used channels: 4 input channels, 4 output channels.

Input specifications

Sensor	1 integrated temperature sensor	
Temperature range	-10° to +50°C (+14° to +122°F)	
Accuracy	± 1°C	
Floor sensor (not included)	Temperature range	-10° to +50°C (+14° to +122°F)
	Cable length	4 m
	Cable consists of 4 wires	Brown is connect to "+" on the temperature controller Yellow is connect to "c" on the temperature controller White is connect to "d" on the temperature controller Green is connect to "L" on the temperature controller. See wiring diagram. The floor sensor is an active 4-wire sensor and must be ordered separately: the part number is BSO-TEMDIG.

Output specifications

LED	4 white / 4 blue
------------	------------------

References

Further reading

Information	Document	Where to find it
Sx2WEB installation guide	System manual	www.productselection.net/MANUALS/UK/system_manual.pdf
Sx2WEB software manual	Sx tool manual	www.productselection.net/MANUALS/UK/sx_tool_manual.pdf
Sx2WEB wireless installation manual	Wireless manual	http://www.productselection.net/MANUALS/UK/wireless_manual.pdf

Order code


 SH XLS2TEMDIS

 Complete the code entering the corresponding option instead of

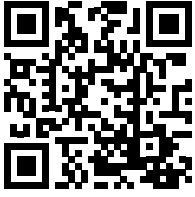
Code	Option	Description
SH	-	Smart Dupline
<input type="checkbox"/>	A	Aurora
	E	Eunica
<input type="checkbox"/> X	4X	Housing 44 x 44 mm
	5X	Housing 55 x 55 mm
LS2	-	Key number
TEMDIS	-	Temperature display

CARLO GAVAZZI compatible components

Purpose	Component name/code	Notes
Controller	Sx2WEB24	
Bus generator	SH2MCG24, SBP2MCG24	

Other compatible components

Purpose	Component name/code	Notes
Compatible frame SHA4XLS2TEMDIS	Niko Fuga BTicino: Luna, Living, Light	
Compatible frame SHE5XLS2TEMDIS	Jung: A 500 Merten: M-Star, M-Plan, Atelier M, M-Smart, M-Plan II Gira: Event, Esprit, Standard 55, E22 Siemens: Delta Elko: RS16, Plus Schneider: Exxact Primo	



COPYRIGHT ©2015
Content subject to change. Download the PDF: www.productselection.net