

Smart Dupline® Wireless relay module Type SHJWRE10AExxx

CARLO GAVAZZI



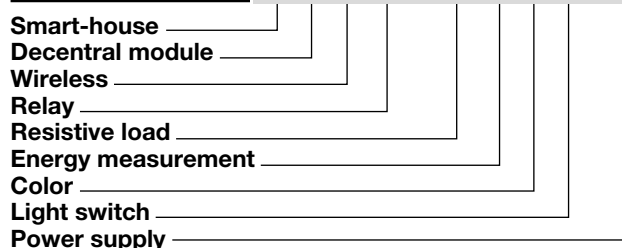
- Wireless relay output module for building automation application
- Designed to fit into the eurobox
- Power supply 230 VAC and 115 VAC
- Wireless transmission based on IEEE802.15.4 @ 2.4 GHz
- Programmable routing function
- Load: 10 A / 250 VAC
- Spring terminals
- Energy measurement: kWh
- Instantaneous variables readout: A, V, W, Wdmd, VA, var, PF

Product Description

The SHJWRE10AExxx is a wireless module with a single relay output and energy measurement. Single phase variables read: A, V, W, Wdmd, VA, var, PF. Energy measurements: total kWh. The measured values are then logged into the Sx2WEB24. It is part of the Smart Dupline® system and can be used with all the functions supported by the Sx2WEB24 master unit. When an activation radio

command is received, the output turns On and remains On until a deactivation radio command is received. It must always be coupled to an SH2WBU230x module. The SHJWRE10AExLS230 version integrates two programmable capacitive push-buttons (K1, K2) and can be mounted into the BTicino frames Luna, Light, Living to substitutes traditional switches.

Ordering Key SH J W RE 10A E W LS 230



Type Selection

Relay output	Push buttons	Colour	Supply: 220...240 V ±10%	Supply: 110...120 V ±10%
One, SPST		Grey	SHJWRE10AE230	SHJWRE10AE115
One, SPST	2, programmable (K1, K2)	White	SHJWRE10AEWLS230	
One, SPST	2, programmable (K1, K2)	Black	SHJWRE10AEBLS230	

Supply Specifications

Power supply	Overvoltage cat. II (IEC 60664-1, par. 4.3.3.2)
Rated operational voltage	
SH...230	220...240 VAC ±10%
SH...115	110...120 VAC ±10%
Rated impulse voltage	2.5 kV
Rated operational power	1 W, 2.5 VA
Power on delay	Typ. 2 s

Input Specifications

Keypad	
2 touch buttons	SHJWRE10AEWLS230 SHJWRE10AEBLS230

Output Specifications

Relay Output	1 SPST-NO
Resistive load	AC1 10 A
Mechanical life	30 x 10 ⁶
Operating frequency	18 x 10 ³ operations/hr
Electrical life	1 x 10 ⁵ operations min.
Contacts	
Resistive load	10 A at 250/115 VAC
Inductive load cosφ = 0.4	3 A at 250 VAC 5 A at 115 VAC

WiDup Specifications

Bus	Wireless dupline
Frequency	IEE 802.15.4, @ 2.4 Ghz
Diagnostic	1. Field strength 2. network activities 3. Devices' presence
Network Topology	Star with max two wireless repeaters
Antenna	Internal
Transmission power	According to IEEE 802.15.4
Sensitivity	According to IEEE 802.15.4
Number of slave nodes	Up to 250
Transmission range	< 700 m in the open air

Electrical Values Readout

Rated values	
A (direct)	0 to 10000 mA
V	SHJWRE10AE115 103 to 126.0 V SHJWRE10AE230 216 to 264.0 V
W	0.1 to 3000.0 W
kWh	0.1 to 99999999.9 kWh with roll over
Wdmd	0.1 to 3000.0 W
VA	0.1 to 3000.0 VA
var	0.1 to 3000.0 var
PF	-1.000 to 1.000 PF
Accuracy	
A	1% read value ± 2 mA
V	1% read value
W	2% read value ± 0.5 W
kWh	2% read value
Wdmd	1% read value
VA	1% read value
var	1% read value
PF	1% read value

General Specifications

Address assignment	Automatic: the controller recognises the module through the SIN (Specific Identification Number) that has to be fitted in the Sx Tool	Weight	65 g
Fail-safe mode	In case of interruption of the smart-house connection, the channel will be forced into a specific optional status as described below	Approvals	cULus, according to UL60950; R&TTE
Environment	Degree of protection IP 20 Pollution degree 3 (IEC 60664) Operating temperature -20° to +50°C (-4° to 122°F) Storage temperature -50° to +85°C (-58° to 158°F) Humidity (non-condensing) 20 to 90% RH	CE Marking	Yes
LED's indication	Power / Output LED 1 green WiDup LED 1 blue	EMC	Immunity - Electrostatic discharge EN 61000-4-2 - Radiated radiofrequency EN 61000-4-3 - Burst immunity EN 61000-4-4 - Surge EN 61000-4-5 - Conducted radio frequency EN 61000-4-6 - Power frequency magnetic fields EN 61000-4-8 - Voltage dips, variations, interruptions EN 61000-4-11 Emission - Conducted and radiated emissions EN 61000-6-3 - Conducted emissions - Radiated emissions CISPR 22 (EN55022), cl. B CISPR 16-2-1 (EN55016-2-1) CISPR 16-2-3 (EN55016-2-3)
Housing dimensions	E230, E115 40.8 x 45.5 x 21.5 mm LS230 43.7 x 47.4 x 21.5 mm		

LEDs Indication

Green LED:	Blue LED: WiDup Bus
Power and Output status	Short blink: Sending data when associated to a SH2WBU230x
ON: Supply ON and output OFF	Long blink: Sending data when not associated to any SH2WBU230x or when receiving a network configuration
Blinking: Supply ON and output ON	On: During network configuration when configured as a router
OFF: Supply OFF	

Mode of Operation

The SHJWRE10AExxx is fully programmable via the Sx tool: the output can be individually associated to one of the functions supported by the smart-dupline system.

Fail/safe condition

The output status of the relay, when the wireless bus is not working, is programmed via the Sx tool and the user can choose between the following options:

1. Output always OFF

2. Output always ON
3. The output maintains the status it had before the disconnection
4. The output runs in a cycle with programmable on and off periods: the user can set both the off and on period from 1 to 255 minutes. The factory setting is output always OFF.

Faulty lamps recognition

If the measured current is lower than 20mA, the module gives a message of faulty

load. This information can be read by the Sx2WEB24, via smart-dupline and then shown on the Sx Tool if connected to the Sx2WEB24.

Energy measurement

The electrical values measured by the SHJWRE10AExxx are: A, V, W, Wdmd, VA, var, PF, kWh. These readouts are sent to the Sx2WEB24 and logged there, the instant values and the logged ones are accessible to the user by connect-

ing to the webserver resident in the Sx2WEB24.

Coding/Addressing

No addressing is needed since the module is provided with a specific identification number (SIN): the user has only to insert the SIN number in the Sx tool when creating the system configuration.

Transmission range

The main factors that influence the transmission range of the SHJWRE10AExxx are the antenna location of the receivers and transmitters, the building structure and the number of obstacles in the connection path. Other factors are noise sources (wi-fi routers, micro oven, blue tooth devices,...) that affect the receiver and dead spots caused by signal reflection from nearby conductive objects.

Since the anticipated transmission range depends on these system conditions, range tests should be performed before a specific range is determined for an application. The following transmission ranges are to be viewed as general guidelines:

Device Position	Operating Distance
In the open air	Approx. 700 m
Plaster-board/wood	Approx. 30 m Max. 5 walls
Tile and cellular concrete	Approx. 20 m Max. 3 walls
Reinforced concrete walls/ceilings	Approx. 10 m Max. 1 ceiling/wall

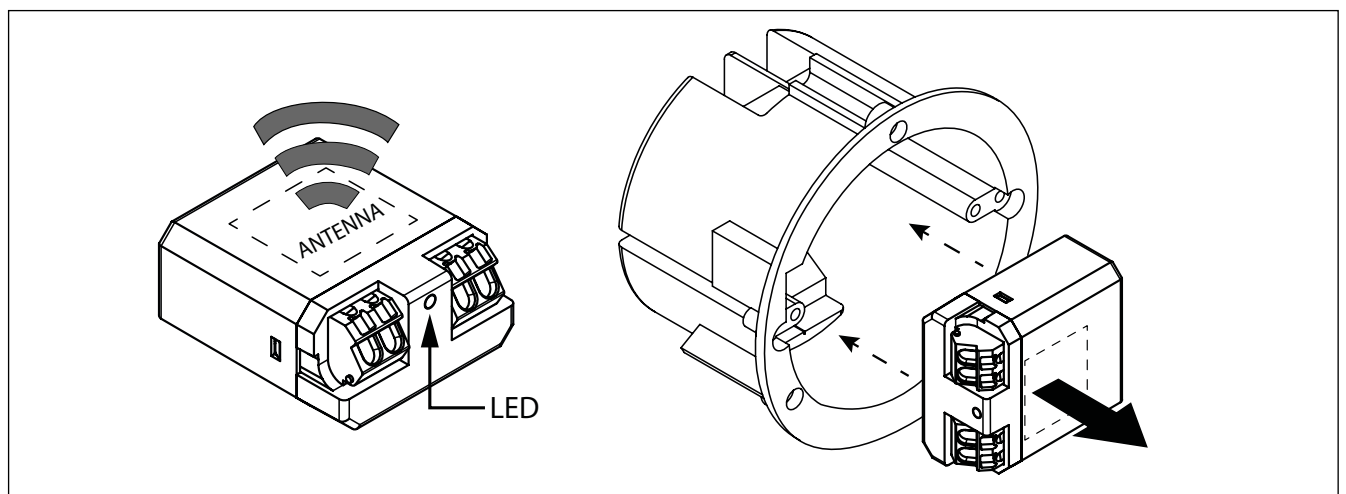
The transmission range is limited by:

- insulation material with metal foil
- intermediate ceilings with metal or carbon fibre panels
- lead glass or metal-coated glass
- mounting wall transmitters on metal walls

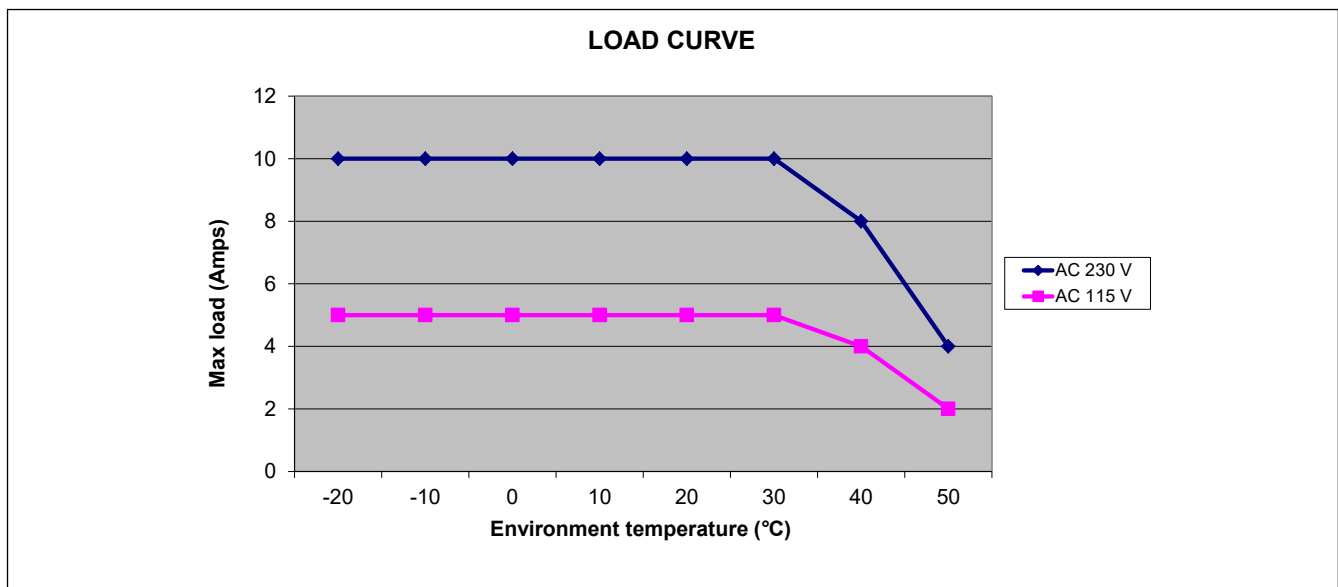
For more information about how to install a wireless network, please read here ([link](#)).

Orientate the antenna

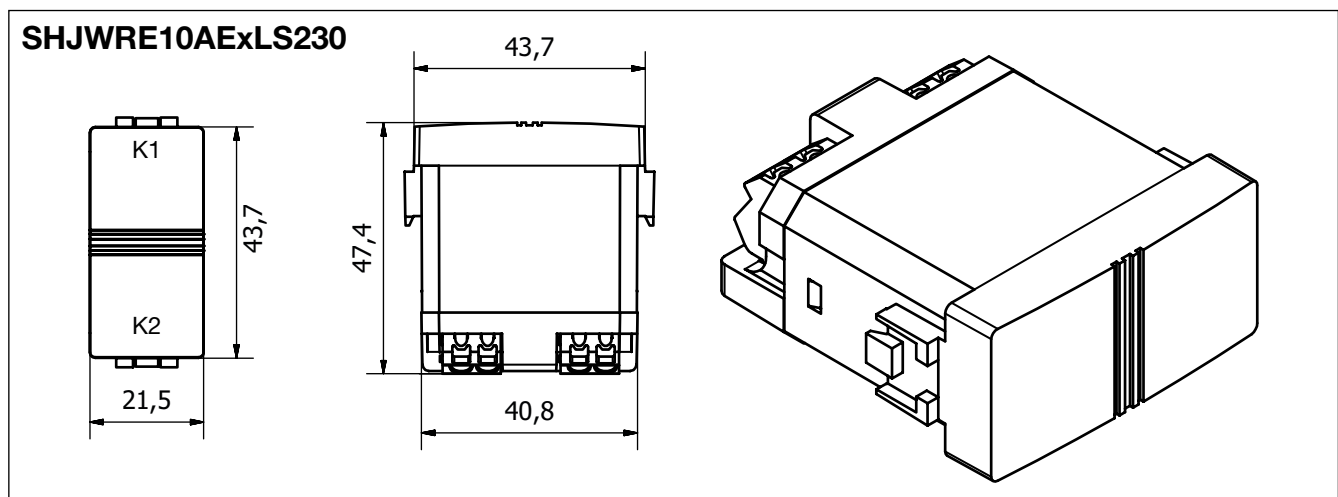
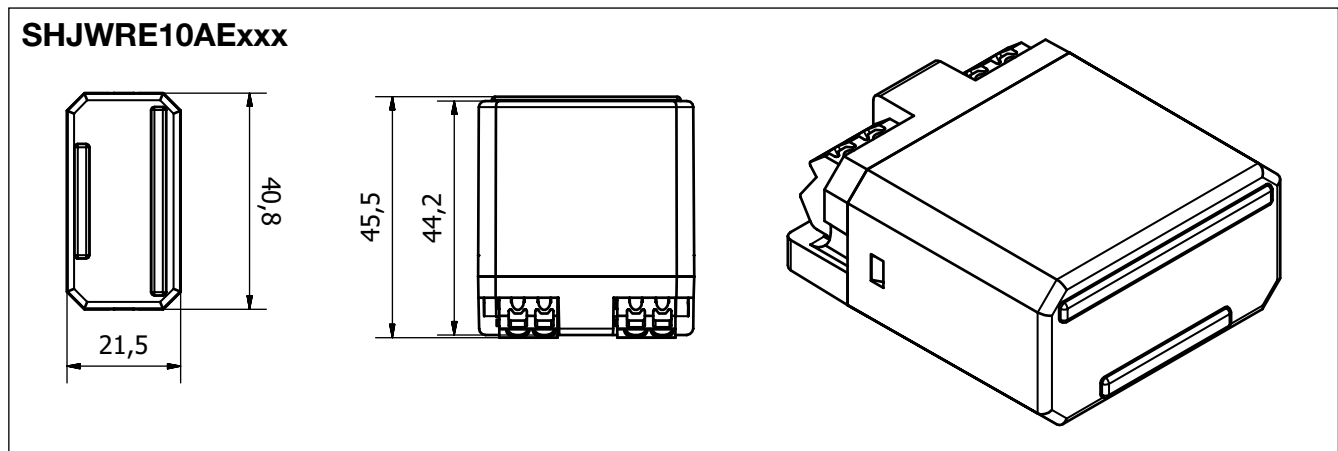
The signal comes out from the side where the integrated antenna is located. Whenever possible, the module should be oriented as shown below:



Derating Curve



Dimensions



Wiring Diagram

