

Light curtain safety Module NL13D

CARLO GAVAZZI



- Safety Category 4 according to EN 954-1
- 3 NO safety outputs, with force guided relay contacts
- 24 VAC / VDC power supply
- Dual channel input
- Automatic or manual reset
- Self monitoring
- Failure diagnosis by LEDs
- Approvals: TÜV NORD, cULus

Product Description

Light curtain safety module according to EN 954-1, EN 292-1 and -2 and EN 60204-1. The NL13D is a Safety Category 4 relay to be connected to the safety light curtain SB2 / SB4 series. The whole system can be used for risk category 2 or 4 applica-

tions, depending on the safety light curtain version (SB2 or SB4). The module is provided with 3 NO safety outputs and can be operated in manual or automatic restart mode. It is placed in a 22.5 mm housing.

Ordering Key

NL13 D

Housing _____

Application _____

Controlled Devices _____

Safety Outputs _____

Safety Category _____

Electrical Specifications

| | | | |
|-----------------------|--------------------------------------|---|--|
| Power supply | 24 VAC ± 10% 50-60Hz 24 VDC ± 10% | Switching voltage/ current /capability | 250VAC/24 VDC/6A/1500VA |
| Power consumption | 2.5 VA / 2.5 W | Contact fuse protection | 6 A fast or 4 A slow |
| Input current/voltage | 70 mA @ 24 VDC | Insulation voltage | Pollution degree: 2 Basis insulation: Overvoltage Category: 3 / 250 V Protective separation: Overvoltage Category: 2 |
| Safety outputs | 3 NO | | |
| Auxiliary outputs | – | | |

Time Specifications

| | |
|--------------------------|----------|
| Delay on energisation | < 150 ms |
| Delay on de-energisation | < 30 ms |
| Recovery time | ≥ 30 ms |
| Channel simultaneity | ∞ |

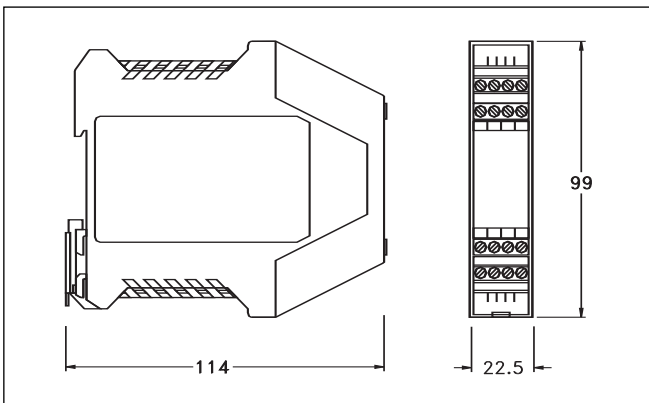
Environmental Specifications

| | |
|-----------------------|------------------|
| Operating temperature | -25°C ... + 55°C |
| Storage temperature | -25°C ... + 65°C |

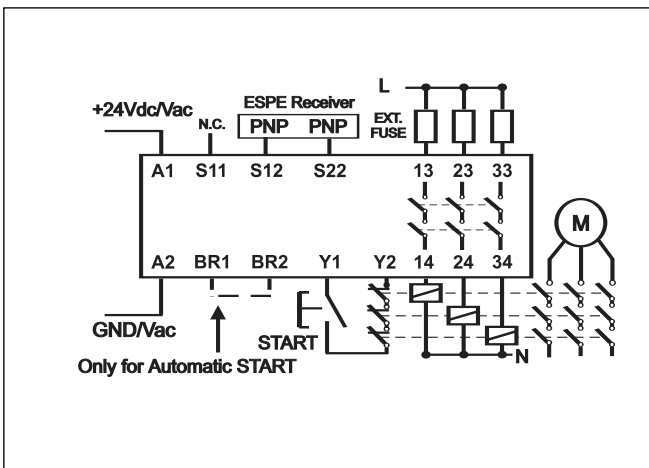
Mechanical Specifications

| | | | |
|-----------------------------|------------------------|---|---|
| Protection degree terminals | IP 20 | Max cross section of external conductors | 2.5 mm ² flexible wire 2.5 mm ² rigid wire |
| Protection degree housing | IP 40 | Dimensions | 22.5 x 99 x 114 mm |
| Housing material | Polyamid PA6.6 | Weight | 170 g |
| Housing type | 22.5 mm housing models | | |
| Mounting | DIN rail | | |

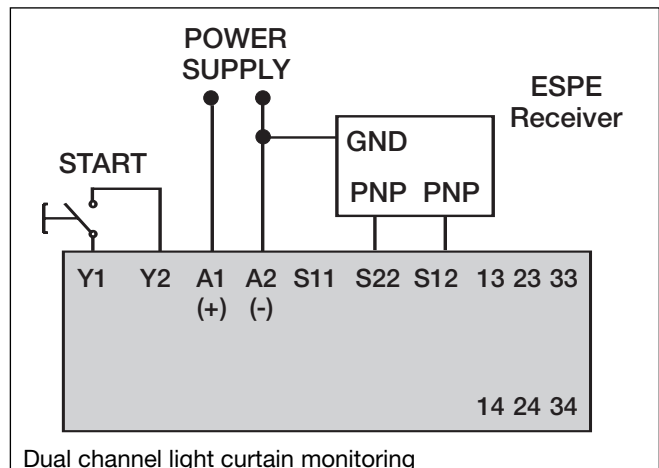
Dimensions



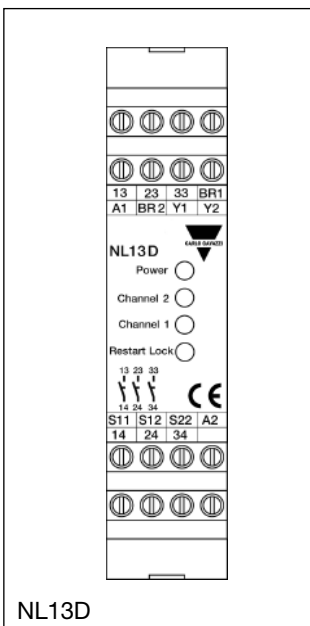
Wiring Diagrams



Application



Connection Sample



Connections

| Terminal Function | Connection |
|-------------------|--------------------------------------|
| A1 | +24 VDC or AC supply |
| A2 | GND or AC supply |
| S12 | First input channel (PNP Channel 1) |
| S22 | Second input channel (PNP Channel 2) |
| Y1-Y2 | START (automatic or manual start) |
| BR1-BR2 | START (only for automatic start) |
| 13-14 | First safety output (NO) |
| 23-24 | Second safety output (NO) |
| 33-34 | Third safety output (NO) |