

# RHS300



## Accessories: Heatsinks



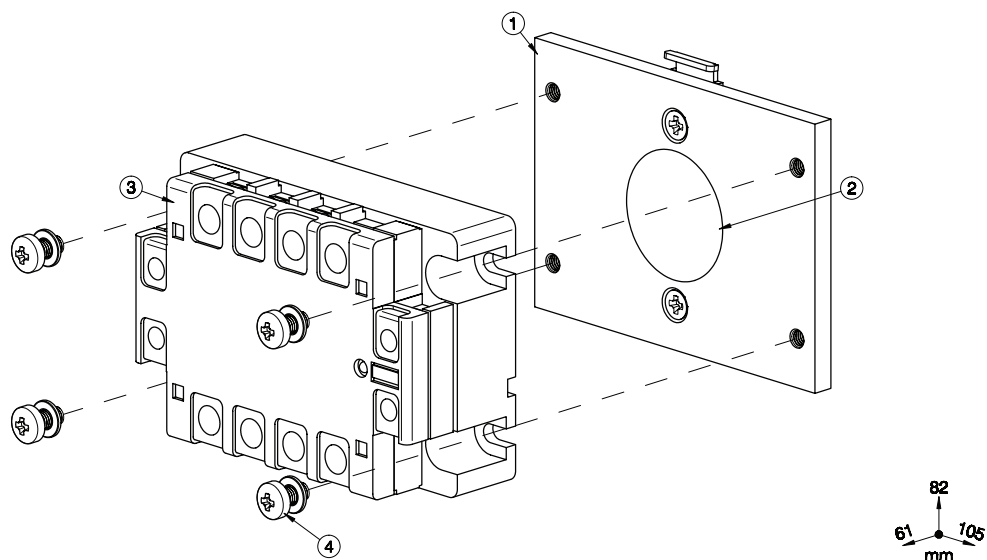
### ▶ Main features

- 5.4°C/W thermal resistance
- Suitable for mounting of 3-phase SSRs
- DIN rail mounting
- Dimensions W x H x D: 105 x 82 x 20 mm
- RoHS compliant

### ▶ Description

Heatsink assembly suitable for mounting of 1 x 3-phase solid state relay (SSR).  
Suffix H1 added to SSR part no. refers to factory mounted heatsink. Conditions apply. Please ask your sales representative for further details.

## Structure



Element	Component	Qty	RHS300
1	RHS300 heatsink assembly	1	Provided
2	Thermal Compound HTS02S	1	Provided
3	3-phase SSR 104x74mm	1	Not provided
4	M5x10mm PZ2 + Washer	4	Provided

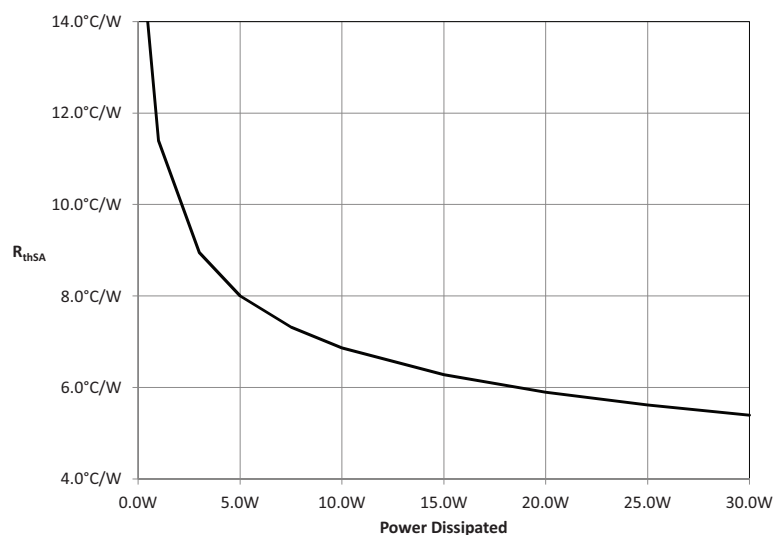
Dimensions including the SSR.

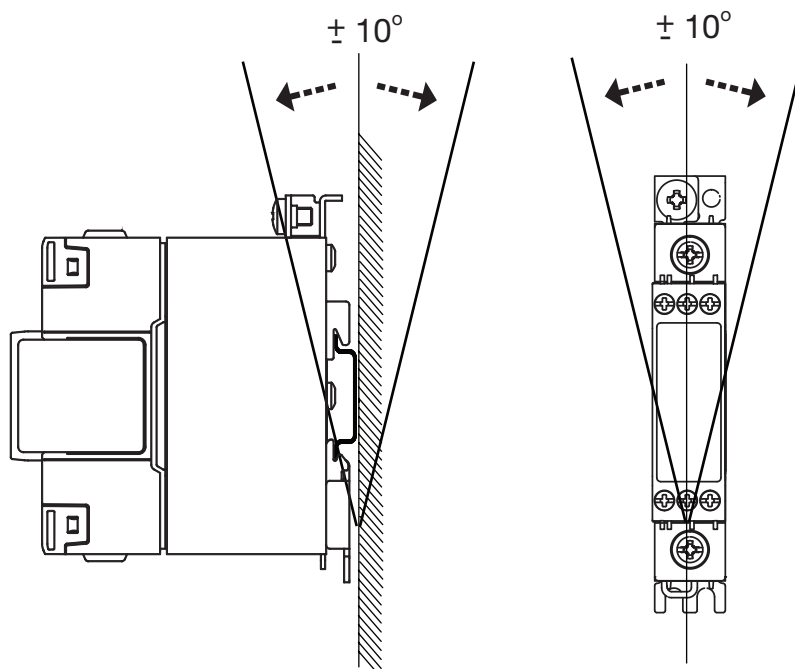
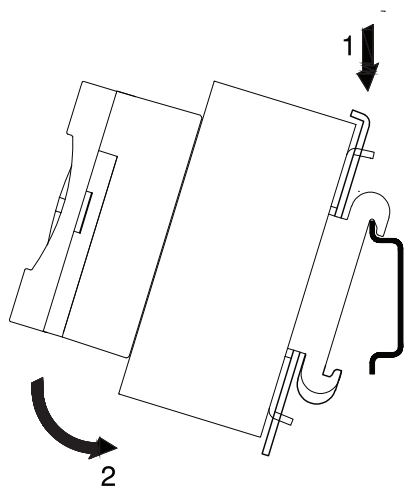
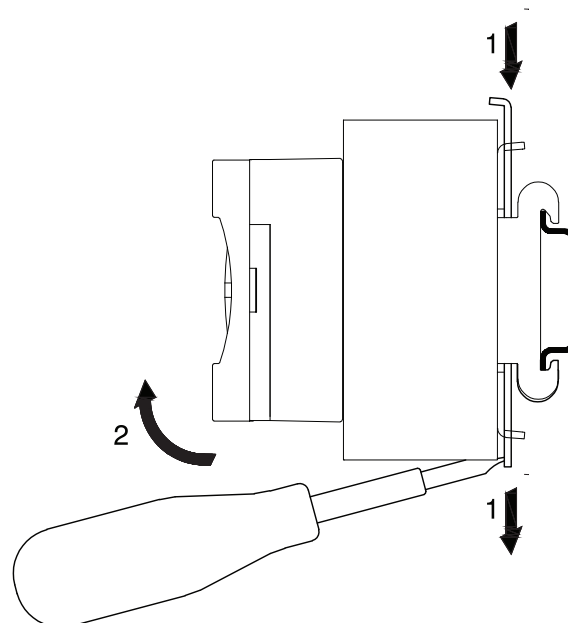
## Features

### General

SSR max. mounting torque	1.5Nm (13.3 lb-in)
Weight (excl. SSR)	approx. 205g
Material	Aluminium
Finish	Silver anodization
Fan mounting	Not possible

### Thermal resistance curve



**Mounting position****Installation****Fig. 1** *Mounting on DIN rail***Fig. 2** *Dismounting from DIN rail*

Illustrations are for example only.



## Recommended maximum current rating (per SSR)

1. The below recommendations are only valid when the assembly (SSR + heatsink) is mounted as shown in the mounting instructions unless otherwise indicated.
2. The indicated ratings are applicable to one SSR, one pole. Please refer to the online selector tool at [www.productselection.net](http://www.productselection.net) for different load currents, surrounding temperatures or multiple units on one heatsink.
3. These recommendations are applicable only with the indicated Carlo Gavazzi thermal interface material between SSR and heatsink. In case a different thermal interface is utilised these recommendations may no longer be valid.

### Thermal compound, HTS02S

1x 3-phase SSR	Surrounding temperature							
	°C °F	20 68	30 86	40 104	50 122	60 140	70 158	80 176
RZ3..	25	8.5	8	6.5	5	3.5	2.5	1
	55	10	9.5	8.0	6.5	4.5	3	2
	75	12	11.5	9.5	8	6	4.5	3

### Thermal pad, RZHT

1x 3-phase SSR	Surrounding temperature							
	°C °F	20 68	30 86	40 104	50 122	60 140	70 158	80 176
RZ3..	25	9	8	6.5	5	4	2.5	1
	55	10.5	9.5	8	6.5	5	3.5	2
	75	12.5	11.5	9.5	8	6	4.5	3



## References

### CARLO GAVAZZI compatible components

Purpose	Component name/code	Notes
Thermal pads	RZHT	Packing qty. 10 pcs.
Thermal compound	HTS02S	2.38 ml sachet of silicon based thermal compound
DIN rail adaptor	RHS00	-
Screw Kits	SRWKITM5X10MM	Packing qty. 20 pcs.

### Further reading

Information	Where to find it
Online heatsink selector tool	<a href="https://gavazziautomation.com/nsc/HQ/EN/solid_state_relays">https://gavazziautomation.com/nsc/HQ/EN/solid_state_relays</a>
Accessories	<a href="https://gavazziautomation.com/images/PIM/DATASHEET/ENG/SSR_Accessories.pdf">https://gavazziautomation.com/images/PIM/DATASHEET/ENG/SSR_Accessories.pdf</a>

### Order code



RHS300



COPYRIGHT ©2020  
Content subject to change. Download the PDF: <https://gavazziautomation.com>