

Daylight Controller, 2 Outputs

CARLO GAVAZZI

BH4-DD10V2-230



Switching and daylight regulation of adjustable ballasts 1 to 10 V

For maintaining a constant brightness level in rooms/offices

8 control-channel receiver

For DIN-rail mounting

LED-indications for smart-house carrier and outputs

Lamp-protective soft-start function

Channel coding by BGP-COD-BAT

Transmits the status of the dimming outputs

OUTPUT SPECIFICATIONS

Ballast outputs	2
Dimming capacity	2 x 1 to 10 V
Max. load capacity	50 mA
Dimming speed	23 s (10% - 100%)
Delay before start of dimming	9 s

Relay outputs	
Max. switching voltage	250 VAC
Load capacity	10 A

Response time	2 cycle: ≤ 272 ms @ 128 channels)
----------------------	--------------------------------------

SUPPLY SPECIFICATIONS

Power Supply	
Rated operational voltage	230 VAC ±10%
Power consumption	2 VA
Power dissipation	Max. 4.5 W
Frequency	50/60 Hz

TYPE SELECTION

Supply	Ordering no.
230 VAC	BH4-DD10V2-230

GENERAL SPECIFICATIONS

Power ON delay	≤ 1 s
-----------------------	-------

Indication for	
Power On	LED, green
smart-house carrier	LED, yellow
Output On, Dimmer output 1	LED, red
Output On, Dimmer output 2	LED, red

Environment	
Degree of protection	IP20
Pollution degree	3 (IEC 60664)
Operating temperature	0° to +50°C (32° to +122°F)
Storage temperature	-20° to +85°C (-4° to +185°F)

Humidity (non-condensing)	Max. 85%
----------------------------------	----------

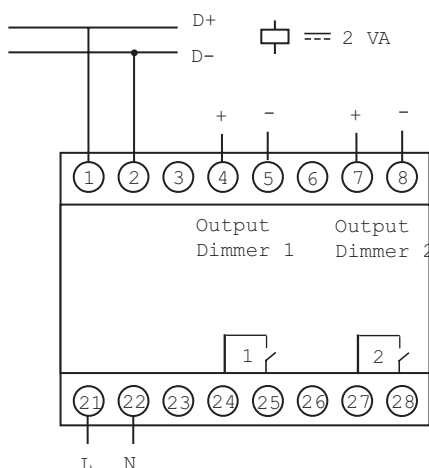
Mechanical resistance	
Shock	15 g (11 ms)
Vibration	2 g (6 to 55 Hz)

Dimensions	
Material	H4-housing

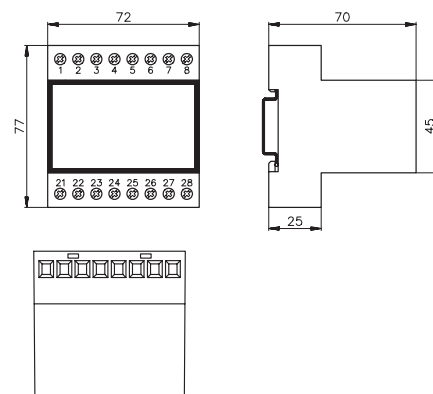
Weight	250 g
---------------	-------

Standards	IEC 60669, EN 55022/ EN 50081-1 and EN 55024/ EN 50082-1
------------------	--

WIRING DIAGRAM



DIMENSIONS (mm)



Daylight Controller, 2 Outputs



MODE OF OPERATION

Coding

With the BGP-COD-BAT programming unit, each switching channel can be assigned any address between A1 and P8 via the modular socket on the front of the dimmer. The allocation of the channels is as follows:

Channel	Description
DIMMER 1	1 ON / OFF / Dimming
	2 Light level input Dimmer 1
	3 Dimmer 1 status output
DIMMER 2	4 ON / OFF / Dimming
	5 Light level input Dimmer 2
	6 Dimmer 2 output status
	7 Sync. input for light level data
	8 Not used

Functions which are not required should remain uncoded. The coding of the dimmer can be carried out without either supply voltage or smart-house signal. It is retained permanently, but may be overwritten at any time. The Dimmer output are configured in such a way at the factory that it will be switched off in the event of a fault. This configuration, too, can be changed with the BGP-COD-BAT. Setting "1" results in switching on the lighting to 100% in case of a fault, while setting "0" switches off the Dimmer output (factory setting).

Putting into service

Commissioning may only be carried out by an authorised, trained technician. Observe the connection diagram when installing. All lines to be connected must be dead.

The following table shows the allocation of terminals:

Terminal	Description
1	smart-house signal conductor + (D +)
2	smart-house signal conductor - (D -)
4	Dimmer 1, 1 to 10 V +
5	Dimmer 1, 1 to 10 V -
7	Dimmer 2, 1 to 10 V +
8	Dimmer 2, 1 to 10 V +
21	Line in
22	N-conductor
24	Dimmer 1, Relay, L _{in}
25	Dimmer 1, Relay, L _{out}
27	Dimmer 2, Relay, L _{in}
28	Dimmer 2, Relay, L _{out}

Connections between the smart-house signal and to earth potential will cause malfunctions and are not permissible. Attention should be paid to the correct polarity of the supply voltage and the smart-house signal. In order to meet the requirements for protective low volt-

age, VDE 0100, part 410, should be observed and applied during installation.

LED indicators

Front-mounted LEDs indicate the status of the device:

LED	Description
GREEN	Supply ON
YELLOW "Bus OK"	smart-house carrier: OFF: Bus fault ON: Bus is OK
RED Output 1	Dimmer 1: OFF: Dimmer output off ON: Dimmer output on
RED Output 2	Dimmer 2: OFF: Dimmer output off ON: Dimmer output on