

Smart Dupline® Analogue Input Module Type SHPINA224

CARLO GAVAZZI



- 2 x 0-20mA/4-20 mA inputs
- 24 VDC
- Input type selectable from SBWEB/SHWEB configuration tools
- Small dimension housing for decentralized installation inside wall-box

Product Description

SHPINA224 is a DC-powered input module with 2 x 0-20mA/4-20mA inputs. The compact size of the module makes it possible to fit it into a wall-box or small junction box, thereby enabling a decentralized installation concept where the Dupline® bus is multidropped from sensor to sensor. This simplifies the wiring to the controller

compared to traditional star wiring connections, reduces the number of DDC's and sub-panels required and provides a higher flexibility for last minute changes and enhancements. The selection of input type (0-20 mA or 4-20 mA) to be used is done with the SBWEB/SHWEB configuration tools.

Ordering key

SH P IN A 2 24

Smart Dupline® _____
 Decentralized _____
 Input module _____
 Current input _____
 Number of inputs _____
 Power supply _____

Type Selection

Input module	Type	Supply: 24 VDC ± 20%
2	0-20mA/4-20 mA	SHPINA224

Supply Specifications

Power Supply	
Operational voltage range	24 VDC ± 20%
Max ripple	1 V
Reverse polarity protection	Yes
Overvoltage category	Overvoltage cat. II (IEC 60664-1, par. 4.3.3.2)
Rated impulse voltage	500 V (1.2/50µs) (IEC 60664-1, tab. F.1)
Typ. current consumption	15 mA (only internal)
Max. output current	100 mA (not self-limited)
Power on delay	≤ 2 s
Power off delay	≤ 1 s

Specifications for Analog inputs

0-20 mA / 4-20 mA	
Inaccuracy	± 0,5% of reading +0,02 mA
Cable length	< 5 m
Max continuous input current	50 mA
Max pulse input current	150 mA for 1s

Dupline® Specifications

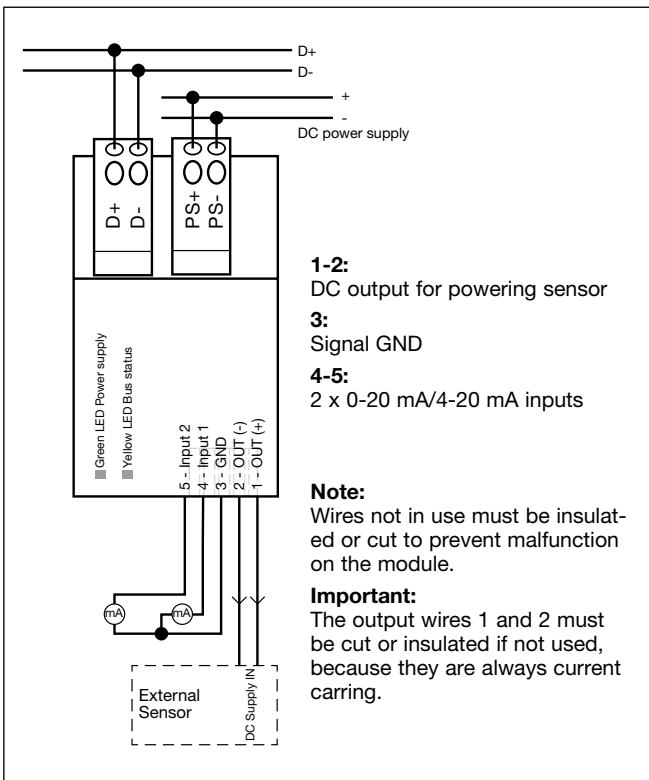
Voltage	8.2 V
Maximum Dupline® voltage	10 V
Minimum Dupline® voltage	5.5 V
Maximum Dupline® current	1.5 mA

General Specifications

Environment	
Pollution degree	2(IEC 60664-1, par. 4.6.2)
Operating temperature	0 to +50°C (-4 to +122°F)
Storage temperature	-50 to +85°C (-58 to + 185°F)
Humidity (non-condensing)	
	20 - 90%
Housing	
Material	Macromel
Colour	Ambra
Dimensions (h x w x d)	
	50 x 30 x 18 mm
Weight	
	50 g
Protection degree	
	IP20
Terminal block	
Power supply input	4 x spring terminal
Dupline® bus	4 x spring terminal
Cross-sectional area	Terminal: 1.5 mm ²
Cable x 5	
1 + 2	Power for external sensors
3	GND
4 + 5	mA input
Cross-sectional area	0.14 mm ²
Wire length	0.25 m

EMC	
Immunity	EN61000-6-2
- Electrostatic discharge	EN61000-4-2
- Radiated radiofrequency	EN61000-4-3
- Burst immunity	EN61000-4-4
- Surge	EN61000-4-5
- Conducted radiofrequency	EN61000-4-6
- Power frequency magnetic fields	EN61000-4-8
- Voltage dips, variations, interruptions	EN61000-4-11
Emission	
- Conducted and radiated emissions	CISPR 22 (EN55022), cl.B
- Conducted emissions	CISPR 16-2-1 (EN55016-2-1)
- Radiated emissions	CISPR 16-2-3 (EN55016-2-3)
Approvals	
	CE
	cULus according to UL60950

Wiring Diagram



Dimensions

