

Smart Dupline®

Glass switch for dimming light

Types SHG503xSLD, SHG060xSLD

CARLO GAVAZZI



- Programmable glass touch switch
- The push buttons can be programmed to control up to 4 dimmable outputs or on/off functions
- The dimming level is changed by moving the finger over the slider.
- Black or white glass
- Backlight ON when the hand nears the glass
- Programmable buzzer when a key is pressed

Product Description

Capacitive glass switch with display and slider to control up to 4 dimming groups and/or on/off functions.

The LEDs indicate which group is controlled by the slider and the display. As soon as the slider is touched, the light level is changed.

When a hand nears the glass, the back light is

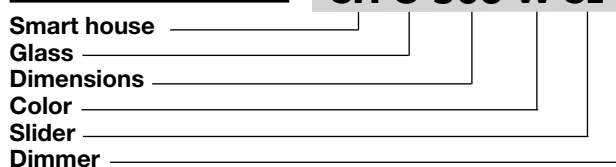
switched on.

The glass switch is part of the smart-house concept for building automation applications and can be used to control lights, roller blinds and all other functions supported by the Sx2WEB24.

It is fully programmable via the SH tool.

Ordering Key

SH G 503 W SL D



Type Selection

Description	Module item
White glass switch for 503 box	SHG503WSLD
Black glass switch for 503 box	SHG503BSLD
White glass switch for Ø60 box	SHG060WSLD
Black glass switch for Ø60 box	SHG060BSLD

Output Specifications

Touch glass	4 LEDs Display (showing the dimming percentage)
-------------	--

Supply Specifications

Power supply	Overvoltage cat. II (IEC 60664-1, par. 4.3.3.2) 15 to 24 VDC ± 20%
Consumption	42 mA, 1 W

Input Specifications

Touch glass	4 touch buttons 1 slider
-------------	-----------------------------

Dupline® Output Specifications

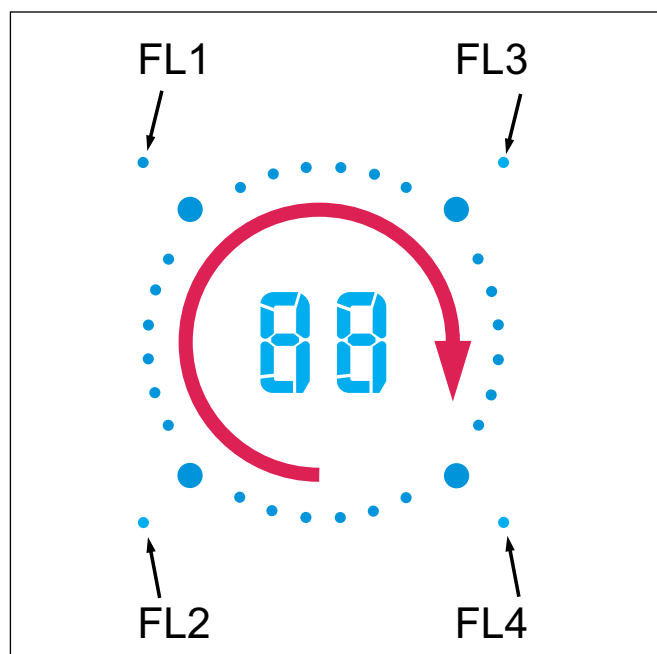
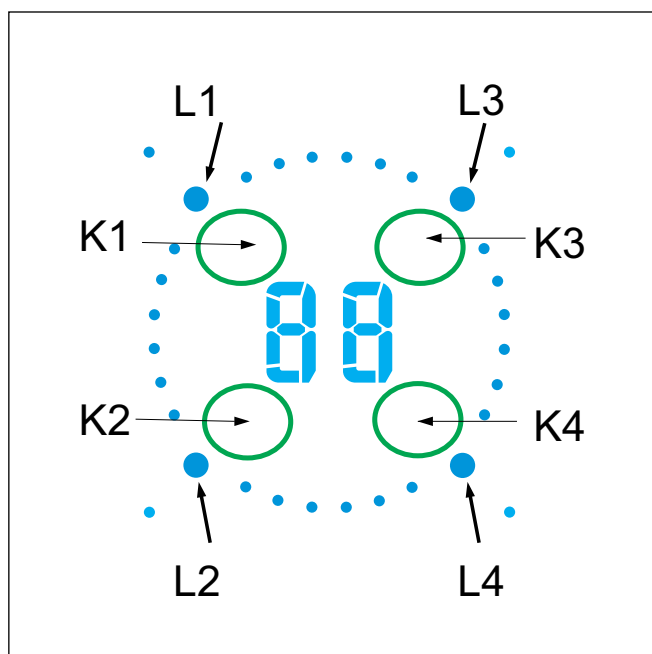
Voltage	8.2 V
Maximum Dupline® voltage	10 V
Minimum Dupline® voltage	5.5 V
Maximum Dupline® current	2 mA



General Specifications

Address assignment	Automatic: the controller recognises the module through the SIN (Specific Identification Number) that is fitted in the SH tool	Weight (packing included) SHG503 SHG060	230g 180g
Environment Degree of protection Pollution degree Operating temperature Storage temperature Humidity (non-condensing)	IP 20 3 (IEC 60664) -10° to +50°C (-14° to 122°F) -20° to +70°C (-4° to 158°F) 20 to 90% RH	Approvals	cULus, according to UL60950 UL notes: Max room temperature: 40°C
Connection Screwless detachable D+ D- V+ V-	0.2 to 1.5 mm ² Signal GND + 24 VDC GND	CE Marking	Yes
Housing Dimensions of back SHG503 SHG060 Dimensions of back + front SHG503 SHG060 Back part material Glass	120 x 80 x 27.9 mm 80 x 80 x 27.9 mm 120 x 80 x 36.8 mm 80 x 80 x 36.8 mm ABS Black (SHGxxxBSLD) White (SHGxxxWSLD)	EMC Immunity - Electrostatic discharge - Radiated radiofrequency - Burst immunity - Surge - Conducted radio frequency - Power frequency magnetic fields - Voltage dips, variations, interruptions Emission - Conducted and radiated emissions - Conducted emissions - Radiated emissions	EN 61000-6-2 EN 61000-4-2 EN 61000-4-3 EN 61000-4-4 EN 61000-4-5 EN 61000-4-6 EN 61000-4-8 EN 61000-4-11 EN 61000-6-3 CISPR 22 (EN55022), cl. B CISPR 16-2-1 (EN55016-2-1) CISPR 16-2-3 (EN55016-2-3)

Keys and LEDs



Mode of Operation

The glass switch is fully programmable by means of the SH tool software.

The sensitive area for the slider is indicated by the red arrow.

The sensitive area for the 4 push buttons is indicated by the circles K1, K2, K3, K4. A pressure of one second on the glass switch is needed to recognise the condition "push button pressed".

Each push button can be programmed in dimming mode or as a standard push button.

Dimming mode

If a push button is programmed in dimming mode, when it is pressed it switches on or selects the relevant dimming group. When a group is selected, moving the finger on the slider will immediately change the corresponding light level.

The display shows the dimming percentage of the selected group of bulbs.

If the finger rotates clockwise over the slider, the light of the selected group is increased up to 100% (the display shows HI) in 10

steps; if the finger rotates anticlockwise over the slider, the light of the selected group is decreased down to 0% in 10 steps.

The LEDs L1, L2, L3, L4 are ON when the corresponding dimming group is selected (its dimming level is shown on the display); otherwise they are OFF.

Standard push button

A push button can also be programmed as a standard push button. In this case it can be used in all the on/off functions apart from the roll-

erblind functions.

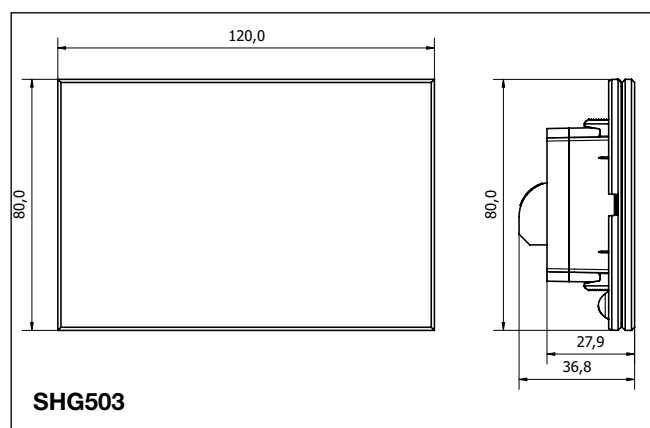
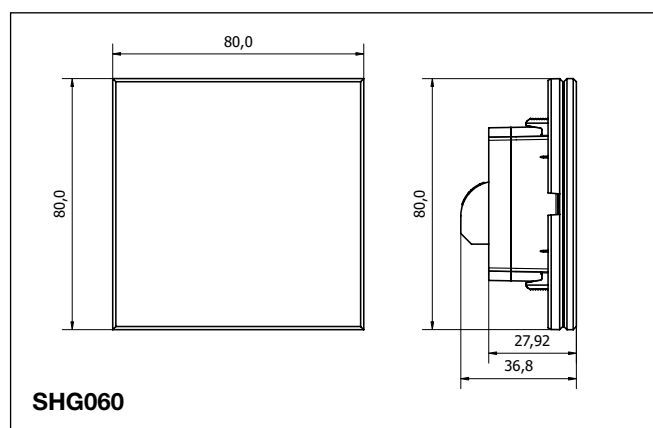
When the hand nears the glass, the back light is lit if programmed.

The buzzer can be enabled by means of the SH tool to give feedback on the pressure.

LED programming

The four feedback LEDs (F1, F2, FL3, FL4) can be freely programmed as feedback for any home automation function.

Dimensions (mm)



Wiring Diagram

