

Counters

24 x 48 Electronic Counter

Types DCT86



- Programmable counter
- Single channel totaliser
- Programmable decimal point
- Manual or electronic reset
- DC supply
- NPN/PNP programmable
- DIN 24x48
- IP65 front protection

Product Description

This counter has a fast counting input and can be used for piece counting on die cutter, presses, extruders, woodworking machines, drilling machines, pick and place, guillotines and special purpose vehicles.

Ordering Key

DCT86 A12 3 00

Type _____
 Output _____
 Supply voltage code _____
 Input type _____
 Stock item: DCT86A12300

Approvals



Output Type

A12	No output
-----	-----------

Supply Voltage

3	10...30VDC (with reverse polarity protection)
---	---

Input Type

00	Standard (also fixed voltage input available upon request)
----	---

Measuring Specifications

Programmable decimal point	0.0 to 0.000
Counting Frequency	60kHz
Manual reset	lockable
Electric reset time	<5ms
Accuracy	
Tachometer:	<0.1%
Timer:	<50ppm

General Data

Display	6 digits LED type
Dimensions of digits	H 8mm/0.31"
Viewing angle	frontal
Colour of digit figures	Red
Current consumption	<50mA
Data Back-up	E ² PROM
Operating temperature	-20...+65°C/-4...149°F
Storage temperature	-20...+85°C/-4...185°F
Mounting position	Panel mounting
Housing colour	RAL7021 (grey)
Dimensions	24x48 acc. to DIN 43700 STD
Weight	50g/1.76oz
Panel cut-out HxL	22.4x52mm / 0.87"x1.77"
Protection degree	IP65 (front)
EMC	acc. to directive 89/36/ENG
emitted:	EN61000-6-4 EN550011 class B
immunity:	EN61000-6-2

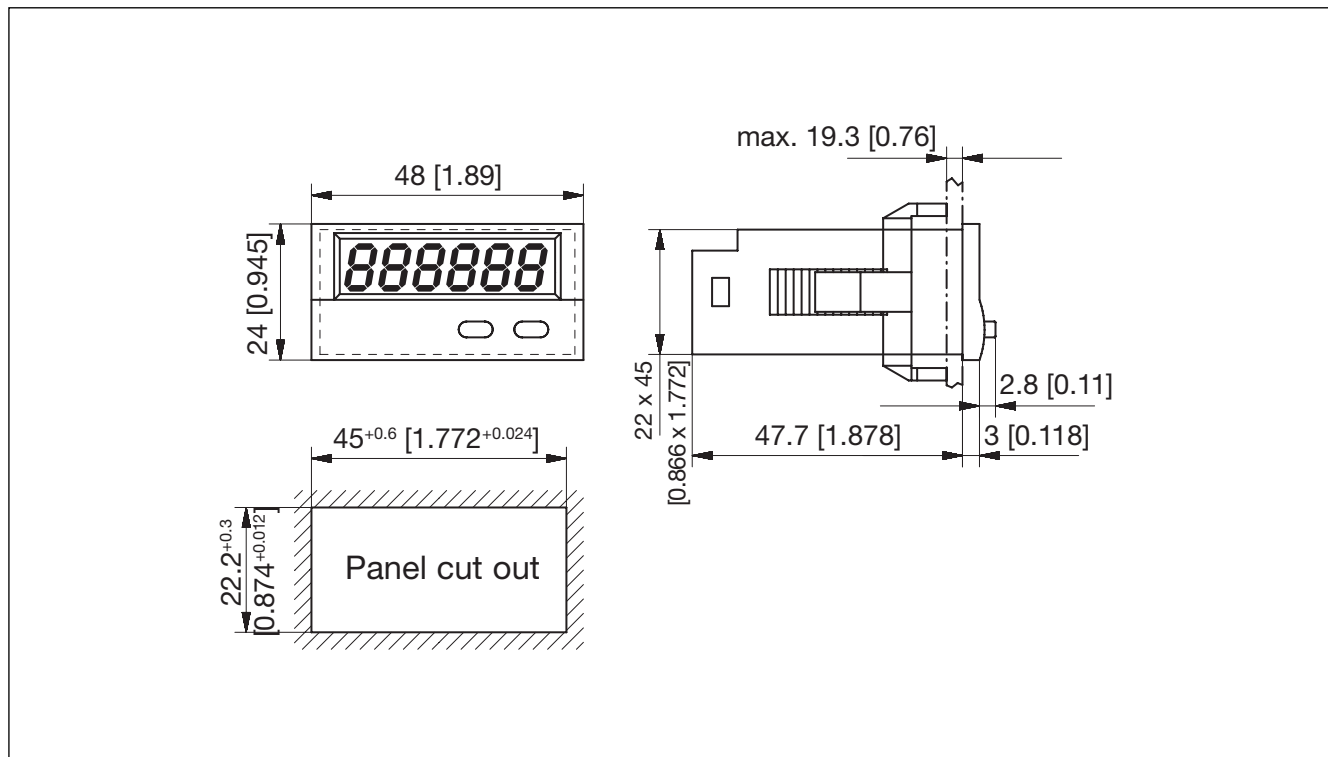
Input Specifications

Polarity	PNP or NPN programmable
Resistance	~ 5kΩ
Switching level	
STD DC input version	Low: 0÷0.2 x U _B High: 0.6 x U _B ÷ 30VAC
5V input version	Low: 0÷2VDC High: 4÷30VDC

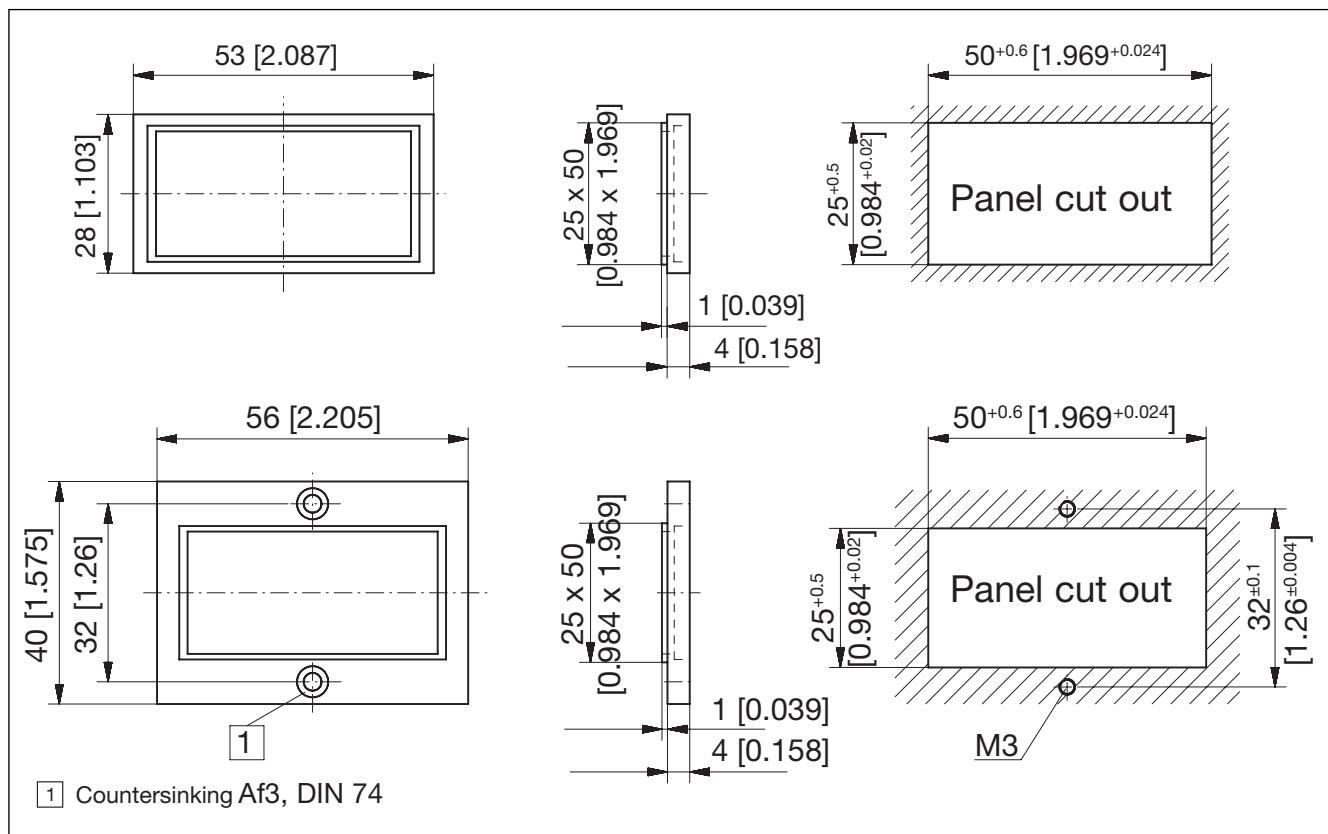
Package Content

1	Instrument DCT86
1	Panel mounting clip
1	Bezel for screen mounting, panel cut-out 50x25mm
1	Bezel for clip mounting, panel cut-out 50x25mm
1	Seal
1	Multilingual operating manual

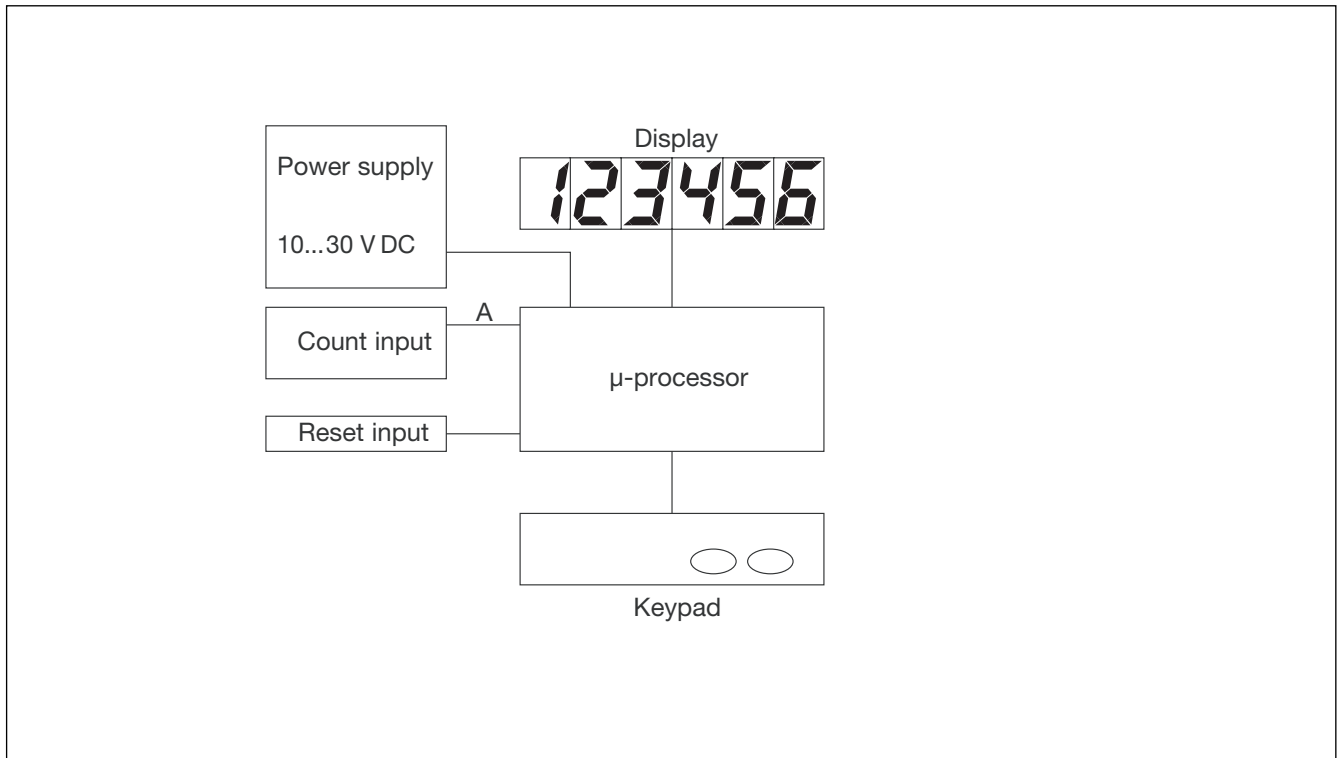
Dimensions (mm/inches)



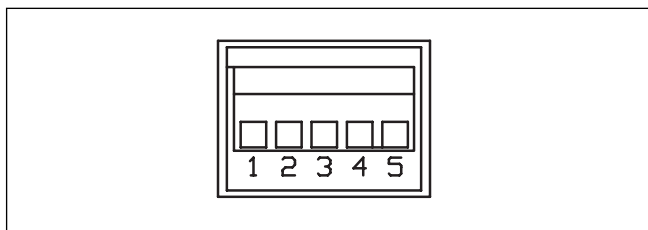
Bezel Dimensions (mm/inches)



Block Diagram



Connections



1. VDC +
2. GND
3. INP
4. Not connected
5. Reset