

Counters Digital Preset Types DCT2

CARLO GAVAZZI



DCT2

- 2 lines x 6 digits
- Battery powered
- Isolated inputs
- Easy programming
- IP65
- Externally lockable keypad
- Relay output

Product Description

This is a preset counter particularly suitable as a replacement for electromechanical counters. No power supply required.

The inputs are isolated and features a relay output. Suitable for all application where multiple preset values are required.

Ordering Key

DCT2 A10 800

Type _____
Relay Output _____
Battery Powered _____
Stock item: DCT2A10800

Approvals



Input Specifications

Polarity	Bidirect., optocoupled for reset and count
Min. pulse duration	
Reset	50ms
Lock	15ms
Switching Levels	
Low	<3VAC/DC
High	12...250VAC
Frequency	25Hz
Resistance	110kΩ

Output Specifications

Output type	Bistable relay with voltage free contacts (programmable as NO or NC)
Max. switching voltage	250VAC/220VDC
Max. switching current	2A
Max. switching capacity	60VA/30W
Output response	<20ms max. 4Hz

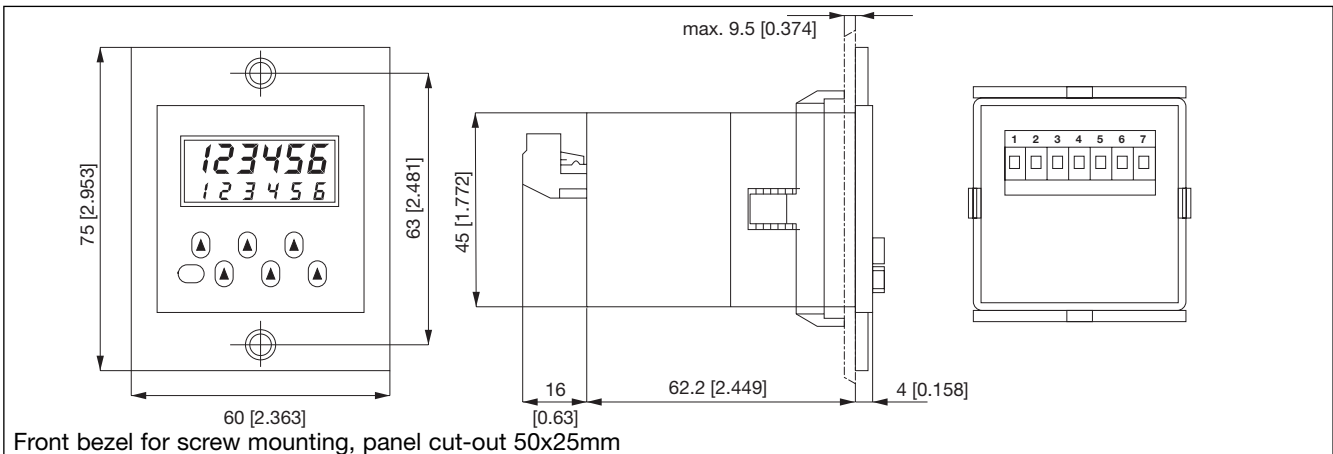
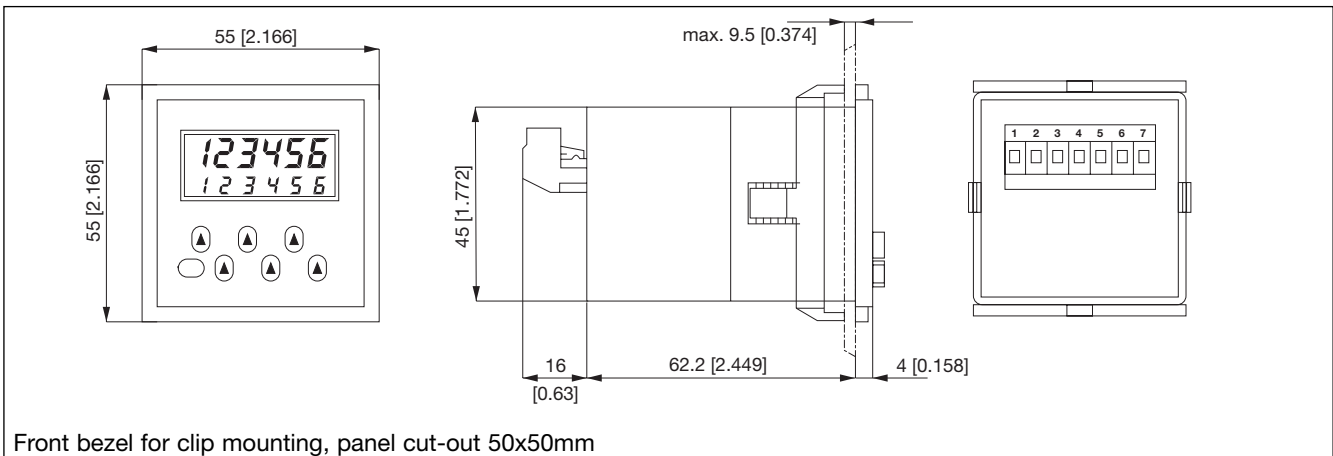
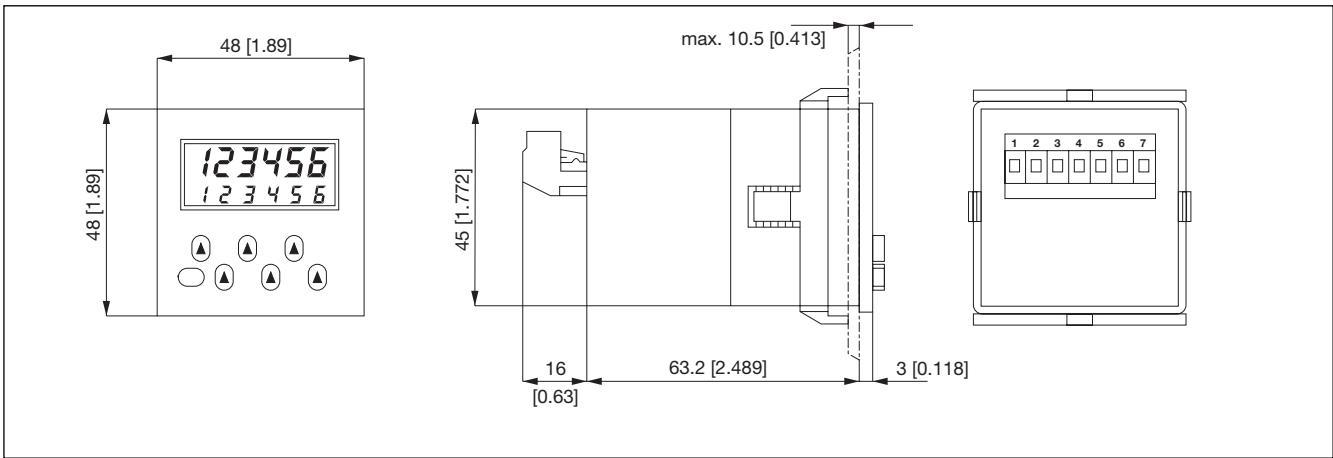
General Data

Display	2 lines x 6 digits LCD type
Dimensions of digits	
First line	H 7mm/0.27"
Second line	H 4.5mm/0.18"
Power supply	2 x 3.6V type 1/2AA lithium batteries (8years 5x10 ⁶ operations of the relay and ambient temperature 25°C/77°F)
Operating temperature	-10...+50°C/14...122°F
Storage temperature	-25...+60°C/-13...140°F
Housing colour	Grey RAL 7021
Weight	~80g/2.82oz
Panel cut-out HxL	22.4x52mm / 0.87"x1.77"
Degree of protection	IP65
EMC	
emitted:	acc. to directive 89/36/ENG EN61000-6-4 EN550011 class B
immunity:	EN61000-6-2

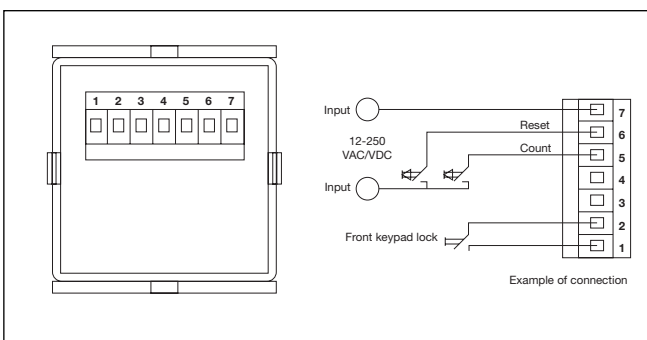
Package Content

1	Instrument DCT2
2	Lithium battery
1	Screw terminal
1	Front bezel for screw mounting, panel cut-out 50x25mm
1	Front bezel for clip mounting, panel cut-out 50x50mm
1	Spring Clip
1	Template for panel cut-out
1	Multilingual operating manual

Dimensions (mm/inches)



Connections



- 1 3VDC for key lock to PIN2
- 2 Keypad lock-input
- 3 Relay contact
- 4 Relay contact
- 5 AC/DC optocoupler count input
- 6 AC/DC optocoupler reset input
- 7 Common AC/DC input for terminal 6 and 5