

Water Detection Sensor



BSF-WAT

- 2-channel transmitter**
- Integrated water sensor input**
- Channel coding by BGP-COD-BAT**
- Water resistant PCB with screw terminals**
- Easily mountable with unique mounting bracket**
- Supplied by smart-house**
- External input for Felson moisture cable**
- Delivered with pre-programmed address on I/O 1**



GENERAL SPECIFICATIONS

Channel programming	By BGP-COD-BAT
Channel assignment	1 pair of channels, freely programmable
I/O number 1	Water detection
I/O number 2	Pre-programmed to address N3
	Always ON (only when using waterstop)
	Not programmed
Environment	
Degree of protection	IP 67
Operating temperature	-20° to +50°C (-4° to +122°F)
Storage temperature	-50° to +85°C (-58° to +185°F)
Mechanical resistance	

Shock	15 G (11 ms)
Vibration	2 G (6 to 55 Hz)
Connection	
Screw terminal	D+ : smart-house + D- : smart-house -
Connection f. external "Felson" sensor	
Screw terminal	Pin X & X
Housing	
Material Housing	ABS
Color	White
Dimensions (H x W x D)	70 x 40 x 16 mm
Weight	100g
Mounting	Direct wall mounting

INPUT SPECIFICATIONS

Input	1 integrated water sensor in parallel with screw terminals for external sensor
Open loop voltage	< 8.0 VDC
Trigger resistance	150 – 470 KΩ
Response time	≤ 156 ms @ 128 channels

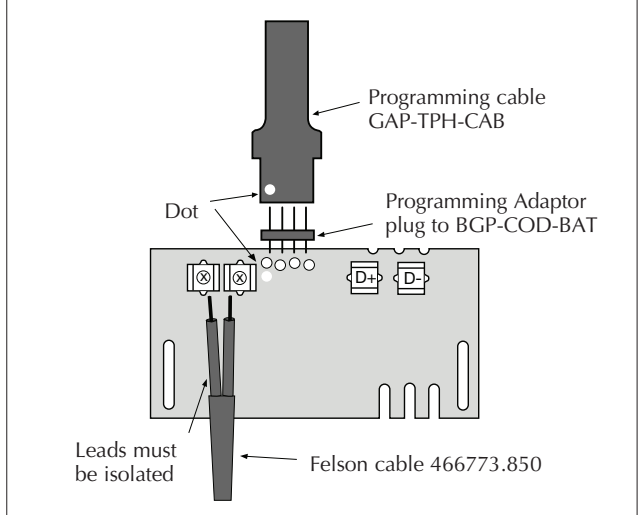
SUPPLY SPECIFICATIONS

Power supply	Supplied by smart-house
Rated operational current	typ. 1.3 mA

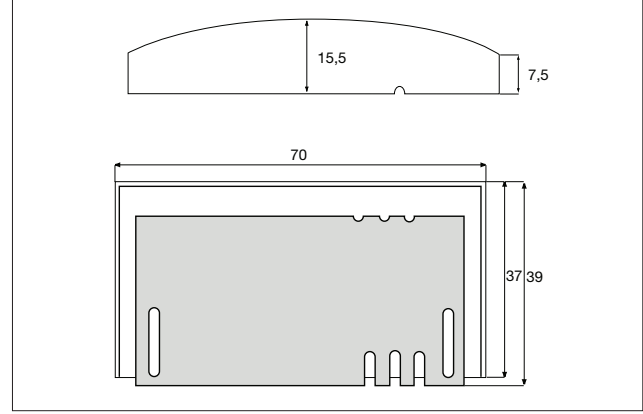
TYPE SELECTION

Supply	Ordering no.
By smart-house	BSF-WAT

WIRING DIAGRAM



DIMENSIONS



ACCESSORIES

Programming cable	GAP-TPH-CAB
Felson cable 1 m + 5 cm leads	466773.850