

Temperature Sensor

CARLO GAVAZZI

BEL-TEMANA

AnaLink temperature transmitter with built-in Pt 1000 sensor

Temperature range: -30°C to +60°C (-22° to +140°F)

Uses only 1 channel

Channel coding by BGP-COD-BAT

Easily mountable

Supplied by smart-house



GENERAL SPECIFICATIONS

Channel programming	By BGP-COD-BAT
Channel assignment	1 channel, freely programmable
Environment	IP 20
Degree of protection	IP 20
Operating temperature	-30° to +60°C (-22° to +140°F)
Storage temperature	-55° to +85°C (-67° to +185°F)
Mechanical resistance	

Shock	15 G (11 ms)
Vibration	2 G (6 to 55 Hz)

Connection	
Screw terminal	Pin 1: D+ Pin 2: D-

Housing		
Material	Housing	ABS
	Plug	Nylon
Colour		Off-white
Dimensions (H x W x D)		84 x 84 x 34 mm

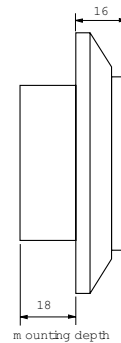
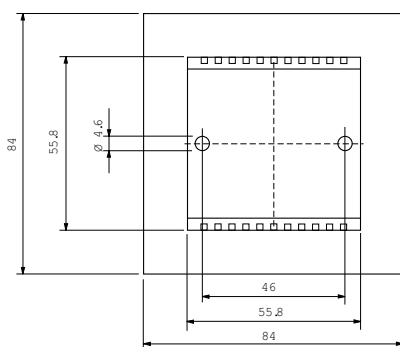
SUPPLY SPECIFICATIONS

Power supply	Supplied by smart-house
Rated operational current	typ. 800 µA

TYPE SELECTION

Supply	Ordering no.
By smart-house	BEL-TEMANA

DIMENSIONS



Surface mounting Frame

