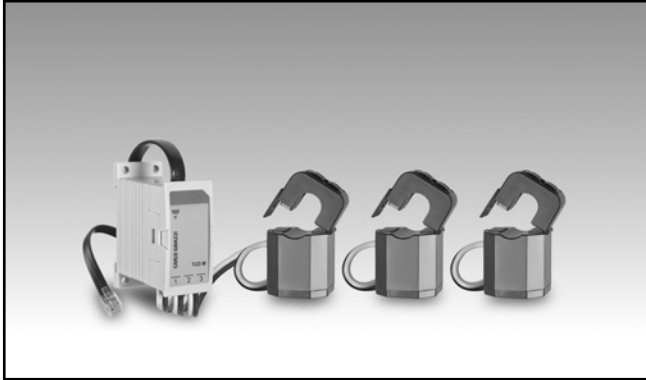


Energy Management

3-phase current transformers

Type TCD0M

CARLO GAVAZZI



- 3-phase current transformer set compatible to EM271 energy meter
- Primary current 60 A
- Hole size 9.6 mm
- Auto-detection of the primary current rated value by the EM271 energy meter
- For cable mounting
- Umbilical connection to EM271 energy meter through RJ11

Product description

Group of three split-core miniature current sensors to be used in combination with EM271 energy meter. Equipped with an RJ11 wire for a very fast installation. The energy meter automatically reads from TCD0M its

primary current rated value, saving time for the user set-up. It can be mounted directly on the cables whose current is to be monitored, without need to interrupt the load power supply.

How to order **TCD0M 60 80CM X**



Type Selection

Primary current	Cable length (RJ11 side)	Option
60: 60A primary current input	80 CM: 80cm	X: none

Specification

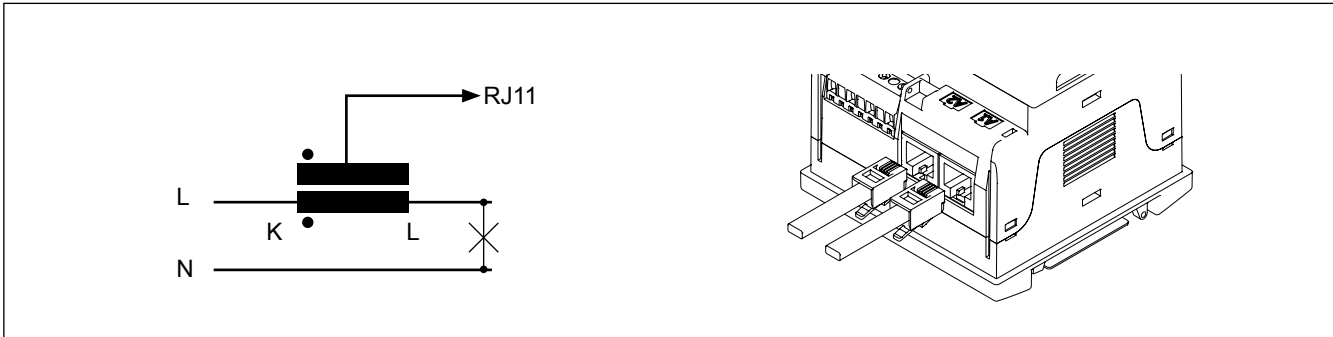
Electrical specifications

Rated Primary Current	60A (1-70A)
45/65Hz	120A max
Current (continuous)	560Ω max
Winding DC resistance at 20°C	
Secondary Output at	
Accuracy	1%
Linearity	0.5%
Phase error at rated current range	≤4°
Operating temperature range	-40°C to +65°C (-40°F to 149°F) (R.H. < 90% non-condensing @ 40°C)
Storage temperature range	-40°C to +65°C (-40°F to 149°F) (R.H. < 90% non-condensing @ 40°C)
Dielectric withstand voltage (Hi-pot)	2500V/1mA/1min
Impulse withstand voltage	5kV Peak
Insulation Resistance	DC500V/100MΩ min
Max primary cable system voltage	660V

Mechanical specification

Current transformer terminal	180cm (UL1015 22AWG PVC wire)
Current transformer housing	P6331
Opening Angle	180 degree
Approx weight	290g
Approvals	CE
Mounting	Cable Mounting
Connections	RJ11
Protection Degree	IP20
Hole Size	Max 9.6mm

Wiring diagrams



Dimensions

