

Lift Door Unlocking and Cabin Levelling Safety Module NA12DLIFT

CARLO GAVAZZI



- Certified according to the Lift Directive and EN 81-1, /-2, EN 12015, EN 12016 and the requirements of the amended A3 directive
- Redundant circuit
- Force guided relay contacts
- Dual channel input
- 2 NO safety outputs
- Failure diagnosis by LEDs
- Feedback circuit for external contactors monitoring
- Possibility to connect mechanical or magnetic switches for lift cabin position monitoring
- Automatic or manual start
- Approval: TÜV

Product Description

Lift door unlocking and lift cabin levelling safety module, designed according to Lift Directive 95/16/CE and to safety circuits requirements of EN 81-1, /-2, EN 12015 and EN 12016 Standards. The module is provided with safety outputs with force guided relay contacts, and feedback circuit. Suited for applications of risk category 4.

Ordering Key

NA12 D LIFT

Housing
 Application
 Controlled Devices
 Safety Outputs
 Safety Category
 Specific Version

Approvals



Electrical Specifications

Power supply	24 VAC -15/+10% 50-60Hz / 24 VDC -15/+10%	Safety output switching voltage /current /capability	AC 230/240 VAC/8A/1380VA DC 300 V/6A/1380 VA
Power consumption	< 5 VA / 5 W	Safety output contact fuse protection	5 A fast or 4 A delayed
Input current/voltage	70 mA @ 24 VDC	Insulation voltage	2.5 KV for signal parts; 4.0 KV for safety output parts: Pollution degree 2 Overvoltage category III
Safety outputs	2 NO		
Auxiliary outputs	--		

Time Specifications

Delay on energisation	≤ 150 ms
Delay on de-energisation	≤ 25 ms
Recovery time	≥ 25 ms
Channel simultaneity	∞

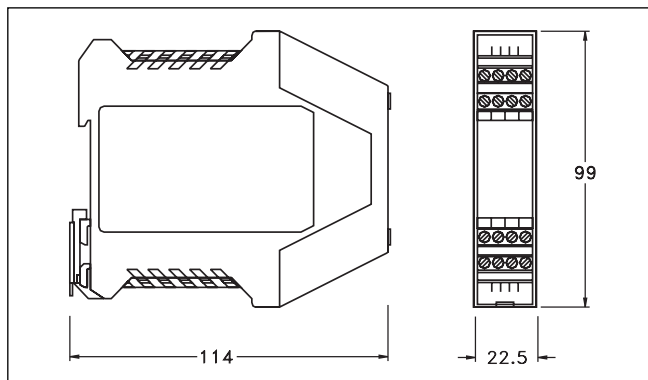
Environmental Specifications

Operating temperature	-20°C ... + 65°C
Storage temperature	-25°C ... + 65°C

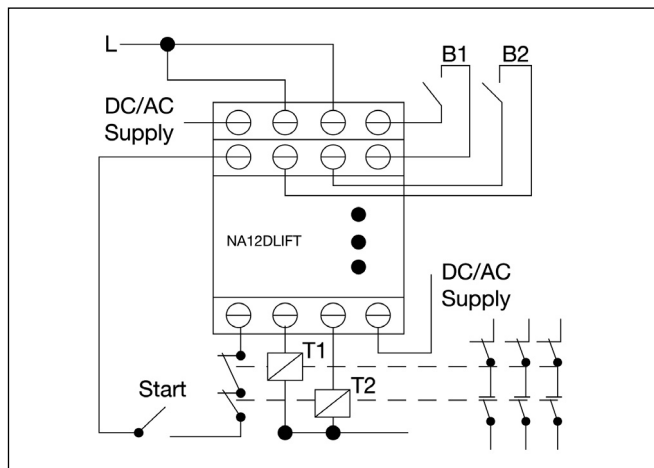
Mechanical Specifications

Protection degree terminals	IP 20	Max cross section of external conductors	2,5 mm ² flexible wire 2.5 mm ² rigid wire
Protection degree housing	IP 40	Dimensions	22.5 x 99 x 114 mm
Housing material	Polyamid PA 66	Weight	200 g
Housing type	22.5 mm housing models		
Mounting	DIN rail		

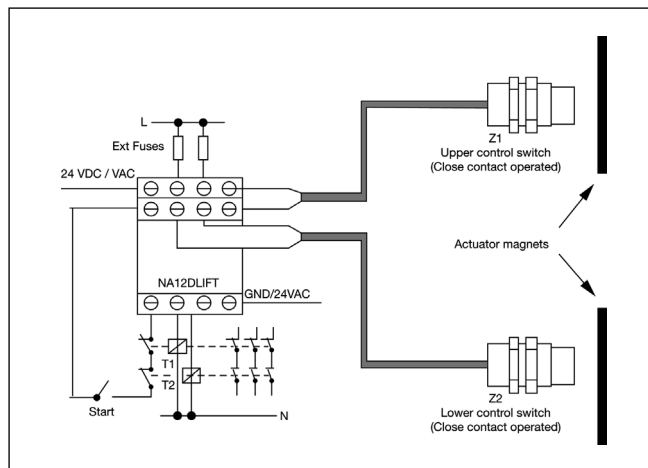
Dimensions



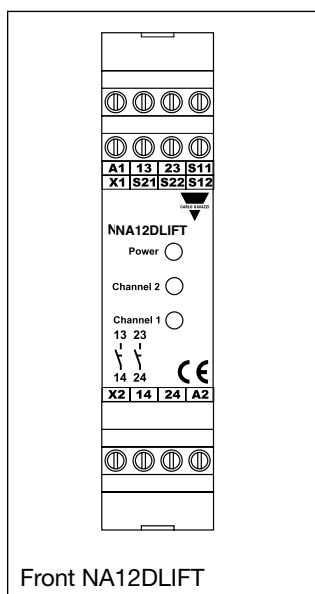
Wiring Diagrams



Application



Connection Sample



Connections

Terminal	Function/Connection
A1	+24 VDC or AC supply
A2	GND or AC supply
S11-S12	First input channel (NO)
S21-S22	Second input channel (NO)
X1-X2	Feedback and Reset circuit input
13-14	First safety output (NO)
23-24	Second safety output (NO)