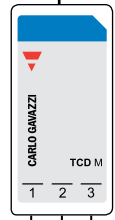
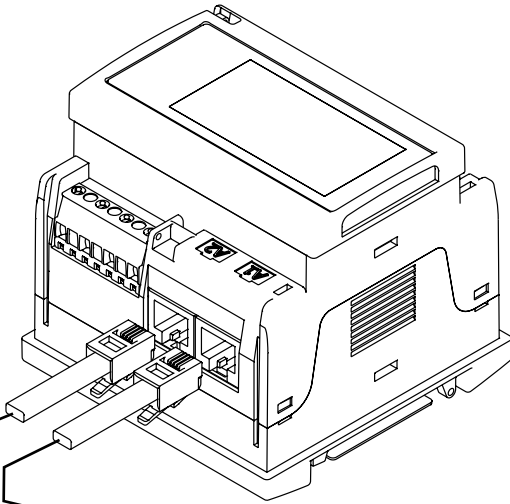
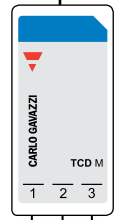


**TCDxM**



**TCDxM (A2)**



**TCDxM (A1)**

